

# PREMIER POP-UP COUNTER DISPLAY

## Assembly Instructions

### CONTENTS SUPPLIED

#### EACH KIT INCLUDES :

- (a.) Display Hardware
- (b.) Graphic
- (c.) Hard Case

#### (a.) Display Hardware

Counter Top x1



Shelf x1



Retractable Frame x1



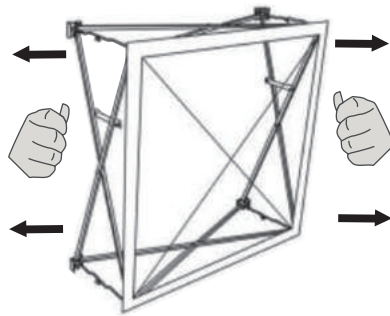
(b.) Graphic



(c.) Hard Case

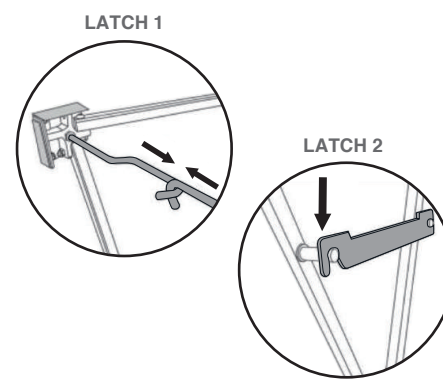


### STEP 1



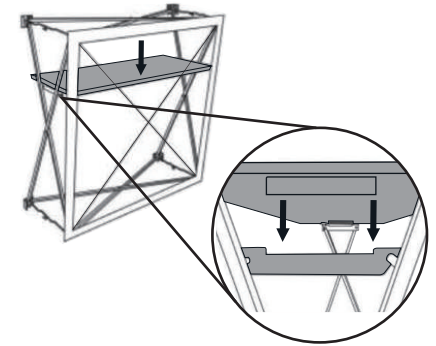
Open Retractable Frame.

### STEP 2



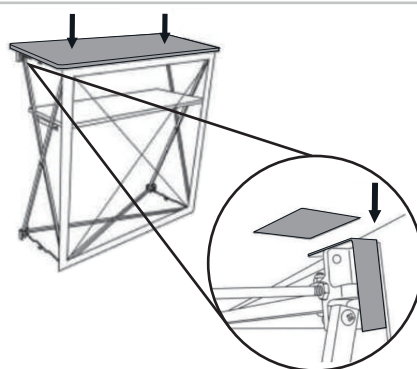
Lock Frame into Position.

### STEP 3



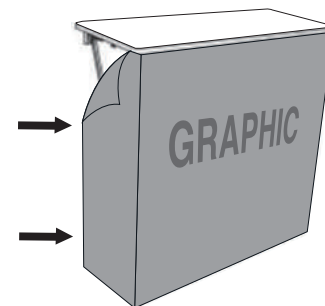
Fit Shelf into Brackets on either side of Frame.

### STEP 4



Fit Counter top notches into top of Frame.

### STEP 5



Attach Graphic to front and sides using the Frame's velcro.

### FINISH

