

TABLETOP X-BANNER

Assembly Instructions

CONTENTS SUPPLIED

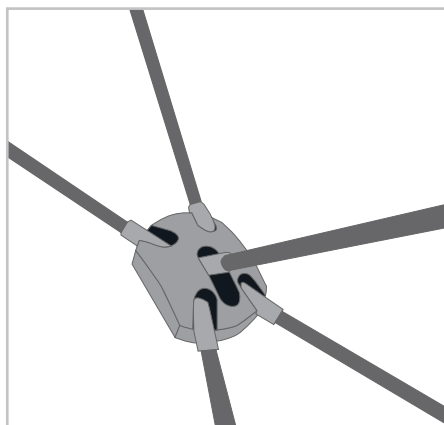
EACH KIT INCLUDES :

(a.) Stand (1)

(a.) Stand

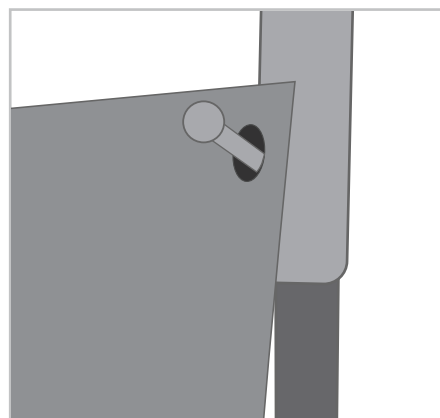


STEP 1



Unfold the legs of the stand until they lock in place.

STEP 2



Put the punched hole on the graphic through the hooks on the legs.

Finish

