

# PREMIER POP-UP DISPLAY

## Assembly Instructions

### CONTENTS SUPPLIED

- (A) Display Hardware
- (B) Nylon Carry Bag

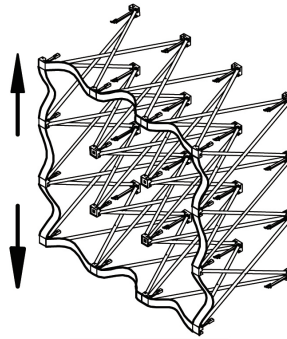


### STEP 1



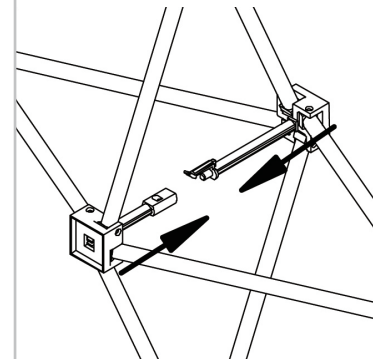
Remove frame from case. Place base on the ground feet first.

### STEP 2



Hold the upper end of the frame and pull up and outwards. Until frame is fully extended.

### STEP 3



Snap frame together on the sides to ensure stability.

### STEP 4



Wrap graphic along the velcro side of the frame