

ADJUSTABLE BANNER STAND

Assembly Instructions

CONTENTS SUPPLIED

EACH KIT INCLUDES :

- (a.) Carrying Bag (1)
- (b.) Heavy Duty Steel Feet (2)
- (c.) Telescopic Poles (6)
- (d.) Allen Hex Key (1)
- (e.) Screw Knobs (4)
- (f.) Screws (2)

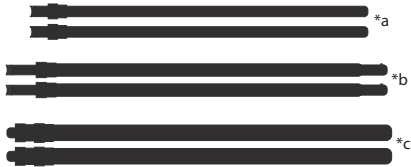
(a.) Carry Bag



(b.) Heavy Duty Steel Feet



(c.) Telescopic Poles



(d.) Allen Hex Key

(e.) Screw Knobs

(f.) Screws

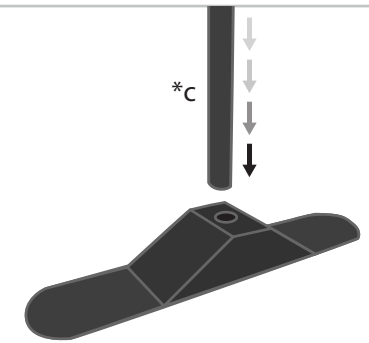


REQUIRED TOOLS

You will need the provided Allen Key

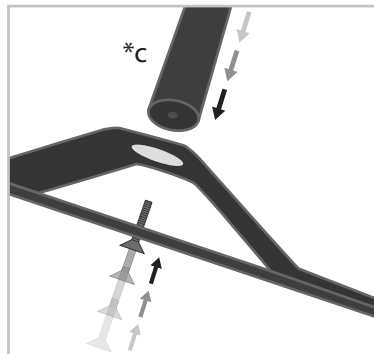


STEP 1



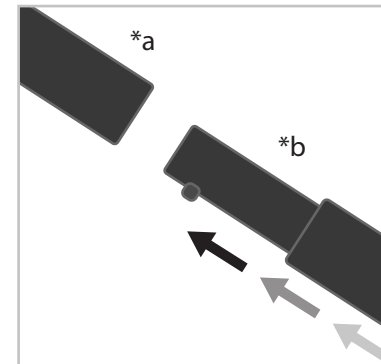
Insert poles (*c) non-adjustable side into the hole of both feet.

STEP 2



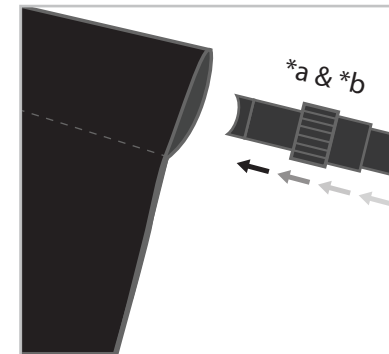
Insert screw from the bottom of the feet to secure the pole to the feet using the provided allen key.

STEP 3



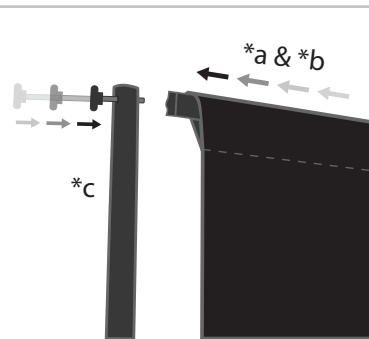
Insert pole (*a) non-adjustable side into pole (*b) non-adjustable side.

STEP 4



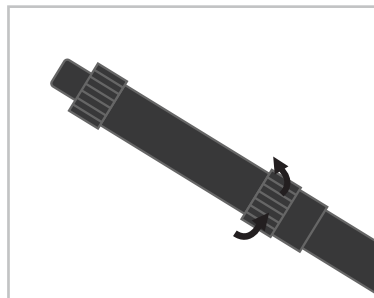
Insert attached (*a) and (*b) poles into the pole pockets of the graphic.

STEP 5



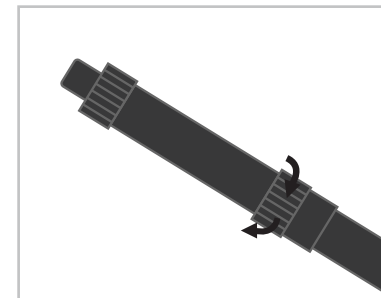
Insert screw knob into pole (*c) and tighten it to attached pole (*a) and (*b) for both pole pockets.

STEP 6



Turn twist lock counter clockwise to unlock and adjust poles to desired length.

STEP 7



Turn twist lock clockwise to lock poles at desired length.

FINISH

